

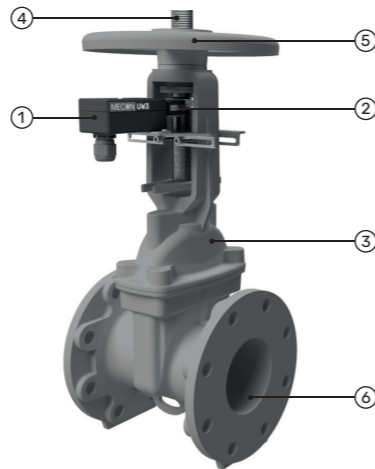
SAFETY INSTRUCTIONS

- » *Installation, commissioning and maintenance shall only be carried out by qualified persons.*
- » *Work on the electrical connections may only be carried out by persons who are qualified and authorized for these activities.*
- » *Do not activate the power supply until the installation is completed.*
- » *The power supply must be disconnected during maintenance work.*
- » *Warning! No external loads may act on the devices.*



LEGAL NOTICE

All rights reserved. Any reproduction of this documentation, even in part and regardless of the method used, is prohibited without the prior written consent of MECON GmbH. Subject to change without notice. Copyright 2025 by MECON GmbH



- ① Supervisory switch UW3
- ② UW3 Extension box (optional)
- ③ OS&Y gate valve
- ④ Stem
- ⑤ Handwheel
- ⑥ Maximum cross section

Fig. 1: Components and assembly

DESCRIPTION

All UW3 devices detect malicious manipulation of control valves and tampering of the UW3 housing. They notify the associated fire alarm panel either by means of operating a potential-free contact (UW30-C and UW30-CE5) or signaling over the respective loop protocol (UW30-AE5 devices).

The UW3 extension box for OS&Y gate valves serves as a contact extension when an UW3 device cannot be mounted close enough to the stem. It is a replacement kit for the adapter plate that comes with every UW3 switch.

Correct mounting of the monitoring unit, if applicable including the installed extension box, results in no alarm, LED is off.

Download product files:
www.meccon.de/downloads/



MECON
SAFETY CONTROL

MECON GmbH
Roentgenstrasse 105
50169 Kerpen
Germany

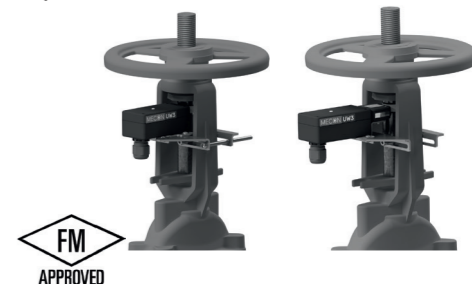
Phone: +49 (0) 2237 600 06 - 0

Mail: info@meccon.de
Web: www.meccon.de

MECON
SAFETY CONTROL

ZB-UW3Y0# Mounting Kit

INSTALLATION INSTRUCTIONS
Supervisory Switch
OS&Y Gate Valve
(optional Extension Box)



www.meccon.de
ZB-UW3Y0# Mounting Kit / 25-03

SEQUENCE OF INSTALLATION

The installation of the UW3 switch at the OS&Y gate valve is carried out by using the enclosed fastening material and adhesive.

- Return the valve to its correct position. Open valve position: upward protruding spindle.

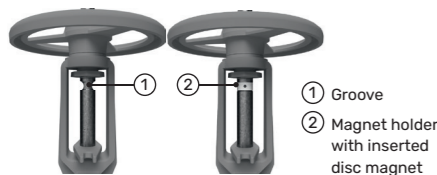


Fig. 2: Components and assembly magnet holder

- Choose the magnet holder with the diameter fitting to the groove. Clean the groove ① and the back of the magnet holder ②.
- Put two drops of the adhesive at the back of the magnet holder. Press the clamp for 15 sec to the groove.

Caution:

Make sure that no adhesive comes into contact with the stem! The temperature during the gluing procedure shall be above 10 °C (50 °F).



- | | |
|-------------------------------|--------------------------------|
| ③ Supervisory switch UW3 | ⑥ Adapter plate UW3 |
| ④ 2x Sheet metal holder | ⑦ UW3 Extension box (optional) |
| ⑤ 2x Threaded bolt M8 (10 Nm) | ⑧ Adapter plate extension box |

Fig. 3: Correct alignment of all components

- Wire the UW3 ③ according to the UW3 installation instructions and close the housing.

- Fix the sheet metal holders ④ with the suitable threaded bolts ⑤ and included nuts to the OS&Y gate valve.

6. UW3:

The UW3 switch comes with a pre-assembled adapter plate ⑥. To reduce the distance to the stem, loosen the screws, rotate the adapter plate 180° and fasten the screws again.

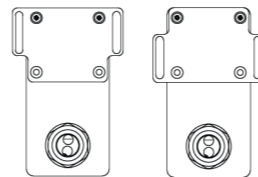


Fig. 4: Valid orientations of mounted adapter plate

To support a wider range of valve types, two valid installation orientations are supported.

The monitoring unit is aligned as close as possible in the horizontal plane to the stem by using the longholes of the adapter plate and the different mounting hole positions of the sheet metal holder ⑨. Fasten it with the two included M4x6 screws ⑩.



Fig. 5: Correct alignment of the UW3

UW3 with extension box:

For installing the UW3 with extension box ⑦ use the already mounted adapter plate of the extension box ⑧. Remove the adapter plate ⑥ from the UW3 by loosening the screws. Mount the UW3 with the removed screws to the adapter plate of the extension box in the only valid installation orientation.

There is only one fitting pair of mounting holes in the sheet metal holder. Fasten the adapter plate of the extension box with the two included M4x6 screws ⑩.

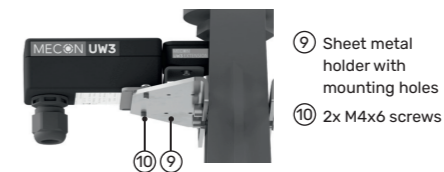


Fig. 6: Correct alignment UW3 with extension box

- Align the marking of the UW3 or the UW3 extension box ⑪ to the pre-installed magnet at the stem. Make sure that the marking and the magnet are aligned to each other.

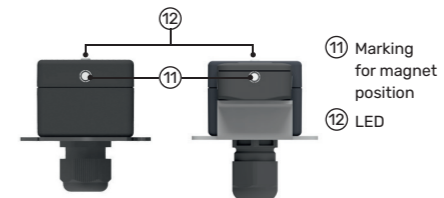


Fig. 7: Marking for magnet position on UW3 & extension box

- Mount the installed monitoring unit so that the switch is actuated, no trouble alarm at the fire alarm panel, LED ⑫ is off.

- The final positioning in the vertical plane can be done by moving the sheet metal holders again. **The maximum tightening torque of 10 Nm must be adhered!**

- Check the correct alignment of the switch by operating the valve and observing the fire alarm control panel at the same time. An alarm will be triggered and the LED will switch on.

- If necessary, repeat the installation from step 7 for final positioning.

- To deactivate the alarm, return the valve to its correct position again.

- If the alarm cannot be deactivated by operating the valve, the fault must be reset in the fire alarm control panel.