

SAFETY INSTRUCTIONS

- » *Installation, commissioning and maintenance shall only be carried out by qualified persons.*
- » *Work on the electrical connections may only be carried out by persons who are qualified and authorized for these activities.*
- » *Do not activate the power supply until the installation is completed.*
- » *The power supply must be disconnected during maintenance work.*
- » *Warning! No external loads may act on the devices.*



SPECIFICATIONS

Max. contact rating	5 W (VA)
Max. switching current rating	250 mA
Housing material	Polysterol
Cable cross section	0.34 ... 1.5 mm ² (22 ... 15 AWG)
Dimensions (L x W x H)	100 x 50 x 40 mm
Protection class	IP65

DESCRIPTION

This valve supervisory switch is designed to work with conventional fire alarm panels. It works with magnet sensing technology and hence requires the provided magnet for proper operation. The absence of the magnet at the designated marking on the housing closes the contact between COM and NC. Bringing the magnet close to the marking on the housing is actuating the switch.

Download product files:
www.mecon.de/downloads/



LEGAL NOTICE

All rights reserved. Any reproduction of this documentation, even in part and regardless of the method used, is prohibited without the prior written consent of MECON GmbH. Subject to change without notice. Copyright 2025 by MECON GmbH

MECON
SAFETY CONTROL

MECON GmbH
Roentgenstrasse 105
50169 Kerpen
Germany

Phone: +49 (0) 2237 600 06 - 0

Mail: info@mecon.de
Web: www.mecon.de

MECON
SAFETY CONTROL

UW30-C

INSTALLATION INSTRUCTIONS Conventional Supervisory Switch



www.mecon.de
UW30-C / 25-03

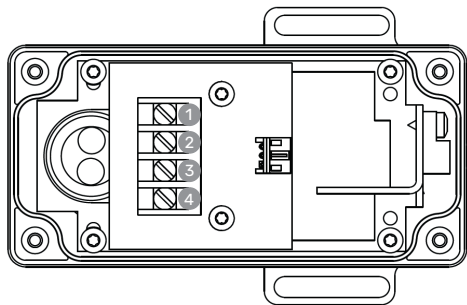


Fig. 1: Terminal and internals

Terminal	Function
1 EOL	End-of-Line Resistor Terminal
2 NO	Normally Open
3 NC	Normally Closed
4 COM	Common

RESET TRIGGERED ALARM

Bring the valve back into its supervised position (typically fully open) so that the magnet is close to the designated marking on the switch housing and reset the fire panel if necessary.

SEQUENCE OF INSTALLATION

1. Open the housing cover by loosening the screws.
2. Wire the UW3 C according to your needs. An example wiring configuration is provided on the right.
3. Close the housing cover and tighten the screws.
4. Fasten the UW3 C to the valve using the mounting kit according to the valve type specific installation instructions.

EXAMPLE WIRING CONFIGURATION

Caution:

The EOL-terminal has no function apart from supporting the field wiring of EOL resistors.

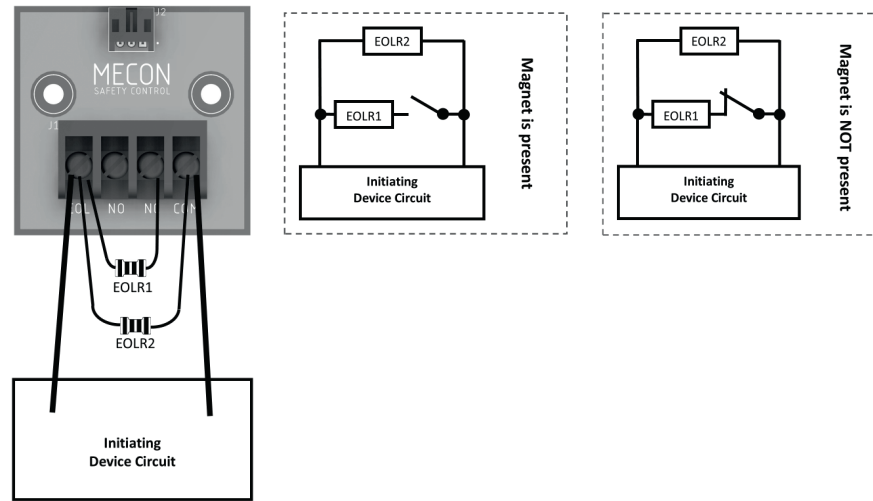


Fig. 2: Example wiring configuration