

SAFETY INSTRUCTIONS

- » *Installation, commissioning and maintenance shall only be carried out by qualified persons.*
- » *Work on the electrical connections may only be carried out by persons who are qualified and authorized for these activities.*
- » *Do not activate the power supply until the installation is completed.*
- » *The power supply must be disconnected during maintenance work.*
- » *Warning! No external loads may act on the devices.*



SPECIFICATIONS

Min. & Max. working voltages	18 ... 30 V DC
Max. switching current rating	200 mA
Housing material	Polysterol
Cable cross section	0.34 ... 1.5 mm ² (22 ... 15 AWG)
Dimensions (L x W x H)	100 x 50 x 40 mm
Protection class	IP65

DESCRIPTION

This valve supervisory switch is designed to work with Potter-loop protocol compatible fire panels.

UW3 switches work with magnet sensing technology and hence require the provided magnet placed at the marked housing location to be in their normal state. Removing the magnet will trigger an alarm. Furthermore, opening the housing will also trigger an alarm (tamper resistance).

*Notice:
This switch is certified as Enhanced Security by FM Approvals according to standard 3135, i.e. the valve inspection interval is extended from weekly to semiannually.*

Download product files:
www.mecon.de/downloads/



LEGAL NOTICE

All rights reserved. Any reproduction of this documentation, even in part and regardless of the method used, is prohibited without the prior written consent of MECON GmbH. Subject to change without notice. Copyright 2025 by MECON GmbH

MECON
SAFETY CONTROL

MECON GmbH
Roentgenstrasse 105
50169 Kerpen
Germany

Phone: +49 (0) 2237 600 06 - 0

Mail: info@mecon.de
Web: www.mecon.de

MECON
SAFETY CONTROL

UW30-AE5P#

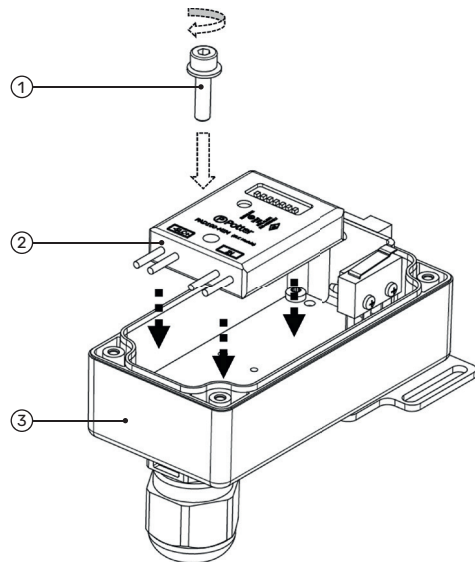
INSTALLATION INSTRUCTIONS Addressable Supervisory Switch With Enhanced Security Potter



www.mecon.de
UW30-AE5P# / 25-04

LOOP MODULE INSTALLATION

1. Open the UW3 housing cover by loosening the screws. Take the cover off.
2. Place the Potter module ① in the bottom part of the UW3 housing ② and use the screw ③ to fix the Potter module on the frame.



- | | |
|---|-----------------------------|
| ① Potter Module PAD100-MIM (not provided with UW3 A E5 P) | ② UW3 housing (bottom part) |
| | ③ Screw with washer |

Fig. 1: Loop module installation

ELECTRICAL INSTALLATION

1. Connect the two white cables ⑤ from the potter module ⑥ with the two pre-wired wire to wire connectors ⑦.
2. Insert the EOL resistor ⑧ into the wire to wire connectors ⑦ as well.
3. Use the supplied wire to wire connectors ⑨ to connect the Potter module ⑥ to the fire alarm control panel (FACP) ⑩.
4. Connect the red cable ⑪ to the + wire of the signaling line circuit ⑫ using one of the wire to wire connectors ⑨.
5. Connect the black cable ⑬ to the - wire of the signaling line circuit ⑭ using the other wire to wire connector ⑨.

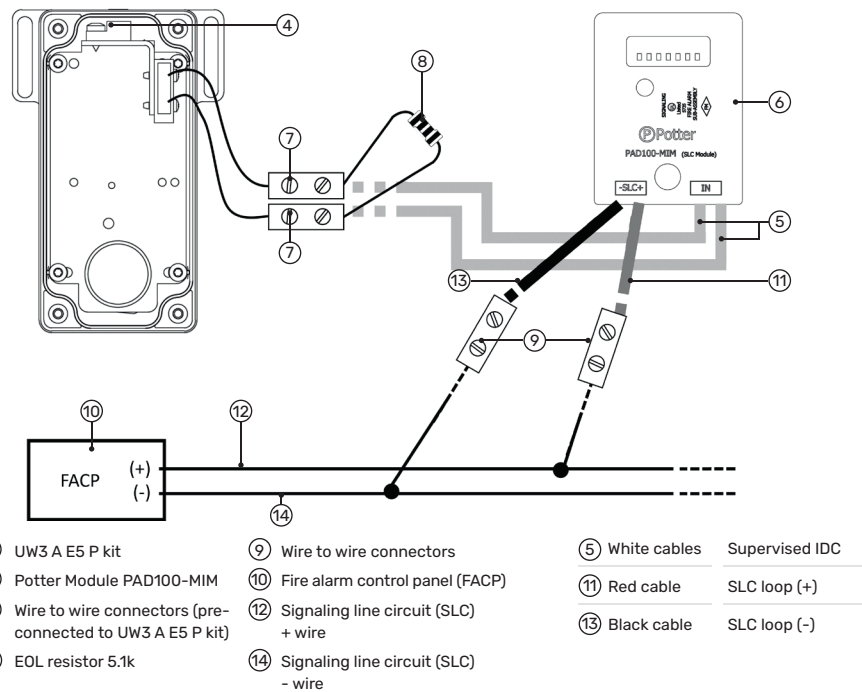


Fig. 2: Wiring configuration