

MAG-FLUX® HTL

Portable hydrant testing device for flow rate measurement and hydrant flushing



The mag-flux® HTL is a mobile hydrant testing device designed to meet the demands of modern water management and fire protection. With this innovative device, you can quickly and accurately check the performance of hydrants and conduct comprehensive water network analyses.

Measure pressure, flow, and optionally temperature and turbidity, and conveniently transfer all measurement data via Bluetooth and the field-tested app to the software from Wasserkarte.info.

Benefit from the versatile applications and extensive analysis options of the mag-flux® HTL to evaluate your measurement results.



ADVANTAGES

- » Certified safety through calibrated references (to measurement standards according to EN 17025)
- » Resource-efficient by eliminating hydrant flushing
- » Extensive analysis options for measurement results



TECHNICAL DATA

System

Measurement principle	Magnetic-inductive flow meter, pulsed DC field
Connectivity	Bluetooth, Bluetooth LE Android, iOS

Input

Process connection	Storz C ... Storz F 2"/DN 50 ... 6"/DN 150 Instantaneous BS 336 2,5"/DN 65 Guillemin 4"/DN 100
--------------------	---

Measurement accuracy

Measurement deviation	±0.5 % of the measured value from 0.25 m/s ... 12 m/s (1.6 ft/s ... 39.4 ft/s)
Repeatability	±0,15 % of the measured value from 0.5 m/s ... 10 m/s (1.6 ft/s ... 32.8 ft/s)

Pressure sensor

Type	Piezoresistive
Measurement accuracy	±0.25 % FS

Temperature sensor¹

Type	PT 1000 class B, DIN EN 60751
Measurement accuracy	±1 % FS

Operating conditions

Medium	Water
Medium temperature	1 °C ... 40 °C (34 °F ... 104 °F)
Minimum Conductivity	>50 µS/cm
Pressure limits	-1 ... 16 bar (-14.5 ... 232 psi)
Flow velocity limits	0.25 ... 12 m/s (0.8 ... 39.4 ft/s)

¹ Optional

Constructive design

Version	Compact flow meter with built-in pressure sensor and temperature sensor ¹
Protection class	IP54 (dust-protected, protection against splashing water)
Display	5 inch LCD, illuminated (240 x 128 pixel)

Power supply

Power supply	Battery (2x NiMH 7.2 V)
Operating time	Up to 24 hours
Charging time	Approx. 4 hours

Materials

Process pipe	PVC
Electrodes	Stainless steel
Housing	Aluminium

Turbidity meter¹

Measurement range	0.1 ... 100 FNU (optional 0.1 ... 300 FNU)
Measurement accuracy	±1.0 % FS
Measurement principle	90° scattered light and 180° transmitted light measurement (ISO 7027)

DIMENSIONS AND WEIGHTS

Nominal diameter	Storz (rotatable)	Measurement range	L (mm / in)	B (mm / in)	H (mm / in)	Weight (kg / lbs)
2"/DN 50	C	0 ... 84.8 m ³ /h (0 ... 1 413 l/min) 0 ... 373 USgpm	310 / 12.2	246 / 9.7	310 / 12.2	14.5 / 32.0
2½"/DN 65	B	0 ... 143 m ³ /h (0 ... 2 390 l/min) 0 ... 631 USgpm	310 / 12.2	246 / 9.7	310 / 12.2	14.5 / 32.0
3"/DN 80	B	0 ... 217 m ³ /h (0 ... 3 619 l/min) 0 ... 956 USgpm	310 / 12.2	246 / 9.7	310 / 12.2	14.8 / 32.6
4"/DN 100	A	0 ... 339 m ³ /h (0 ... 5 655 l/min) 0 ... 1 493 USgpm	365 / 14.4	272 / 10.7	337 / 13.3	19.5 / 43.0
6"/DN 150	F	0 ... 763 m ³ /h (0 ... 12 723 l/min) 0 ... 3 361 USgpm	390 / 15.4	336 / 13.2	400 / 15.8	32.0 / 70.5

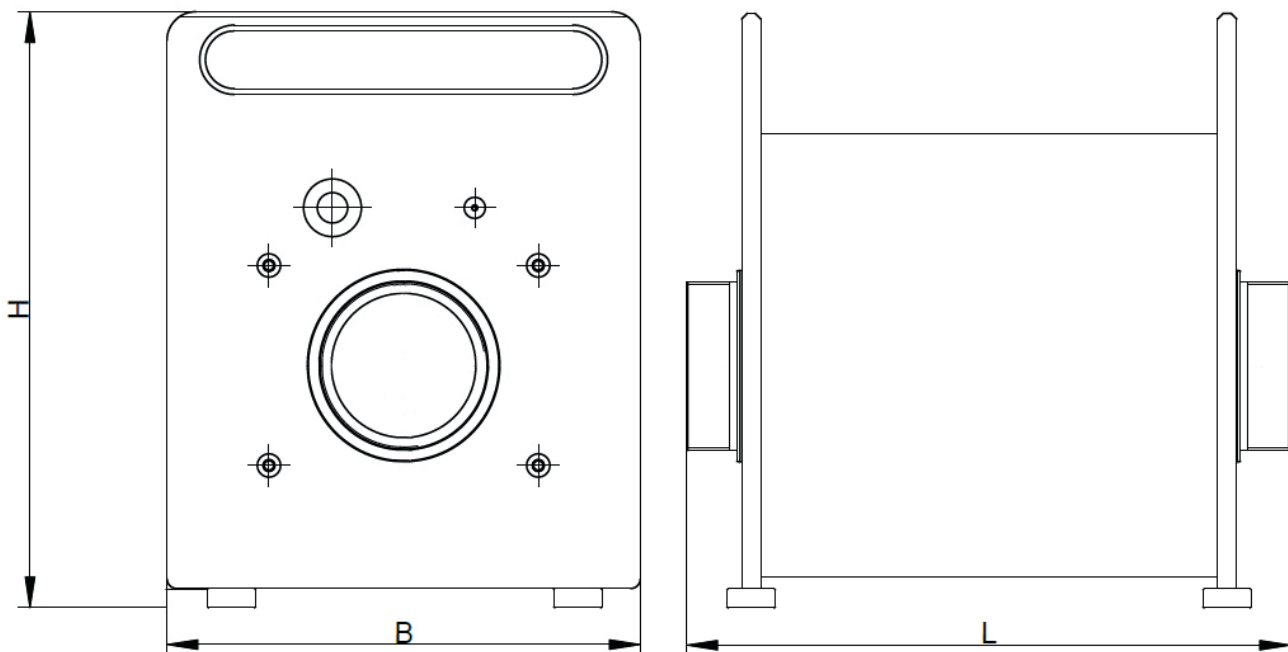







Fig. 1: Dimensions of mag-flux® HTL front view and side view

PRODUCT AND ACCESSORIES

Product	Figure	Description	Order code
Hydrant testing device mag-flux® HTL		2"/DN 50, Storz C, rotatable, 0 ... 84.8 m³/h / 0 ... 1 413 l/min (373 USgpm)	HTL050
		2"/DN 50, Storz C, rotatable, 0 ... 84.8 m³/h / 0 ... 1 413 l/min (373 USgpm), temperature measurement	HTL050/TE
		2"/DN 50, Storz C, rotatable, 0 ... 84.8 m³/h / 0 ... 1 413 l/min (373 USgpm), temperature measurement and turbidity preparation	HTL050/TE/TU
		2½"/DN 65, Storz B, rotatable, 0 ... 143 m³/h / 0 ... 2 390 l/min (631 USgpm)	HTL065
		2½"/DN 65, BS336, 0 ... 143 m³/h / 0 ... 2 390 l/min (631 USgpm)	HTL065/BS336
		2½"/DN 65, Storz B, rotatable, 0 ... 143 m³/h / 0 ... 2 390 l/min (631 USgpm), temperature measurement	HTL065/TE
		2½"/DN 65, Storz B, rotatable, 0 ... 143 m³/h / 0 ... 2 390 l/min (631 USgpm), temperature measurement and turbidity preparation	HTL065/TE/TU
		3"/DN 80, Storz B, rotatable, 0 ... 217 m³/h / 0 ... 3 619 l/min (956 USgpm)	HTL080
		3"/DN 80, Storz B, rotatable, 0 ... 217 m³/h / 0 ... 3 619 l/min (956 USgpm), temperature measurement	HTL080/TE
		3"/DN 80, Storz B, rotatable, 0 ... 217 m³/h / 0 ... 3 619 l/min (956 USgpm), temperature measurement and turbidity preparation	HTL080/TE/TU
		3"/DN 80, G3 male thread, 0 ... 217 m³/h / 0 ... 3 619 l/min (956 USgpm)	HTL080T
		4"/DN 100, Storz A, rotatable, 0 ... 339 m³/h / 0 ... 5 655 l/min (1 494 USgpm)	HTL100
		4"/DN 100, Guillemin fixed, 0 ... 339 m³/h / 0 ... 5 655 l/min (1 494 USgpm)	HTL100/FR
		4"/DN 100, Storz A, rotatable, 0 ... 339 m³/h / 0 ... 5 655 l/min (1 494 USgpm), temperature measurement	HTL100/TE
		4"/DN 100, Storz A, rotatable, 0 ... 339 m³/h / 0 ... 5 655 l/min (1 494 USgpm), temperature measurement and turbidity preparation	HTL100/TE/TU
		4"/DN 100, Guillemin, fixed, 0 ... 339 m³/h / 0 ... 5 655 l/min (1 494 USgpm), temperature measurement and turbidity preparation	HTL100/TE/TU/FR
6"/DN 150, Storz F, fixed, 0 ... 763 m³/h / 0 ... 12 723 l/min (3 361 USgpm)	HTL150		



Product	Figure	Description	Order code
Turbidity meter		2"/DN 50, Storz C, rotatable - FNU values 0.1 ... 100 (incl. hose connection 0.4 m)	HTLTU050
		2½"/DN 65, Storz B, rotatable - FNU values 0.1 ... 100 (incl. hose connection 0.4 m)	HTLTU065
		3"/DN 80, Storz B, rotatable - FNU values 0.1 ... 100 (incl. hose connection 0.4 m)	HTLTU080
		4"/DN 100, Storz A, rotatable - FNU values 0.1 ... 100 (incl. hose connection 0.4 m)	HTLTU100
		4"/DN 100, Guillemin, fixed - FNU values 0.1 ... 100	HTLTU100FR
Pressure reducer		2"/DN 50, Storz C, rotatable, (incl. hose adapter piece C to B) - max. 217 m³/h / 3 619 l/min (956 USgpm)	HTLDV050
		2½"/DN 65, BS336 - max. 217 m³/h / 3 619 l/min (956 USgpm)	HTLDV065/BS336
		3"/DN 80, Storz B, rotatable, - max. 217 m³/h / 3 619 l/min (956 USgpm)	HTLDV080
		4"/DN 100, Storz A, rotatable, - max. 339 m³/h / 5 655 l/min (1 494 USgpm)	HTLDV100
		4"/DN 100, Guillemin, fixed - max. 339 m³/h / 5 655 l/min (1 494 USgpm)	HTLDV100/FR
		2x 4"/DN 100, Storz A, rotatable, (incl. 2x 5 m hose Storz A, 5 m hose Storz F, siamese coupling) - max. 678 m³/h / 11 310 l/min (2 987 USgpm)	HTLDV150
Fire Hose		3"/DN 80, Storz B, rotatable, cylindrical, - max. 217 m³/h / 3 619 l/min (956 USgpm)	HTLDV080/Z
Fire Hose		B-75, 0.5 m (1.6 ft), Storz B, LM involved	ZB-HTL-001
		B-75 1.7 m (5.6 ft), Storz B, LM involved	ZB-HTL-002
		B-75 3.0 m (9.8 ft), Storz B, LM involved	ZB-HTL-003
		B-75 5.0 m (16.4 ft), Storz B, LM involved	ZB-HTL-004
		C-52 3.0 m (9.8 ft), Storz C, LM involved	ZB-HTL-005
		C-52 1.7 m (5.6 ft), Storz C, LM involved	ZB-HTL-006
Regulation valve		2"/DN 50, Storz C	HTLAR050
		2½"/DN 65, BS336	HTLAR065/BS336
		2½"/DN 65 and 3"/DN 80, Storz B	HTLAR080
		4"/DN 100, Storz A	HTLAR100
		4"/DN 100, Guillemin	HTLAR100/FR
Transport case		For HTL up to 3"/DN 80	HTLTC
		For HTL 4"/DN 100 and 6"/DN 150	HTLTC100