

## ZONE-LUX®

### Application

- Automatic Flow Switch Tester
- For stationary fire safety sprinkler systems



### Technical Data

#### General

- Operating Pressure max. 232 psi (16 bar)
- Temperature range 39 ... 122 °F (4 ... 50 °C)

#### Main pipe

- Length 400 mm (optional 450 mm)
- Connection groove

#### Pump

- Protection class IP44
- Temperatur Medium (min.) 14 °F (- 10 °C)
- Temperatur Medium (max.) Wasser 230 °F (110 °C)
- Input voltage (nominal) 220 ... 240 V AC
- Power consumption (@ 230 V AC) 0.43 A
- Frequency range AC 50 ... 60 Hz

#### Flow Switch

- Type Potter VSR-EU
- Protection class IP54
- Flow Sensitivity Range for Signal 30 ... 57 l/min (8 ... 15 gal/min)
- Pressure Loss 3 psi ( $\leq 0.2$  bar) at 5 m/s (DN 50 ... DN 100)  
1 psi ( $\leq 0.07$  bar) at 5 m/s (DN 150 ... DN 200)
- Contact Ratings Two sets of SPDT (Form C)  
10.0 A at 125/250 V AC  
2.0 A at 30 V DC resistive  
10 mA min. at 24 V DC

#### Key switch (accessories)

- Protection class IP54
- Operating voltage 230 V AC
- External back-up protection 16 A
- Micro key switch Latching can only be pulled off in off position

#### DirectControl unit (accessories)

- Protection class IP40
- Input voltage (nominal) 110 ... 240 V AC
- Input voltage (min.) 85 V AC
- Input voltage (max.) 264 V AC
- Frequency range AC 45 ... 65 Hz
- Current consumption (120 V AC) 0.5 A
- Current consumption (230 V AC) 0.3 A
- Temperature (min.) -13 °F (- 10 °C)
- Temperature (max.) 122 °F ( 50 °C)

#### Certificate

VdS approved  
FM approval pending

**Dimensions**

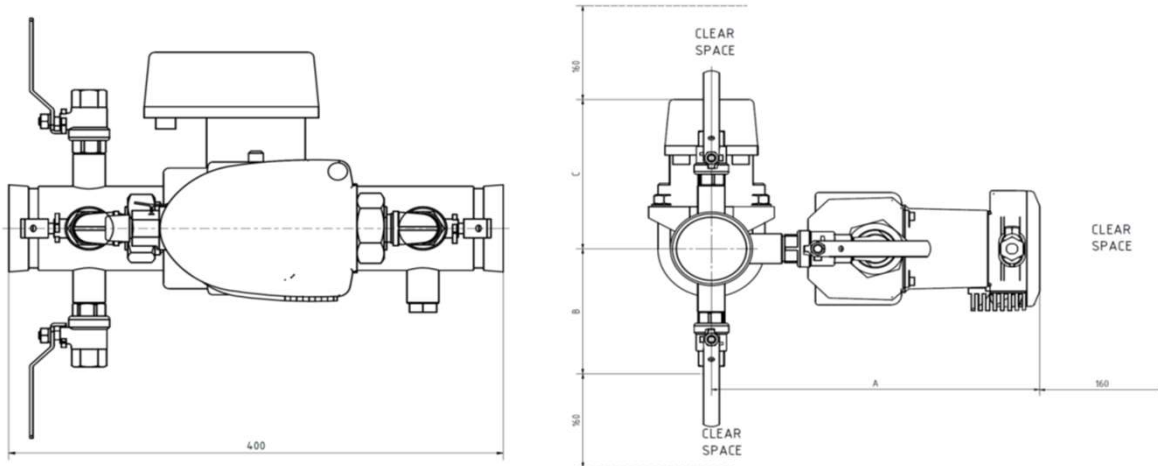


Fig.1 and 2 ZONE-LUX Basic version

Nominal size	Construction dimensions (mm)		Length
	Ø D	A (ca.)	
DN 50	60.3	306.1	400 mm
DN 65	76.1	312.5	400 mm
DN 80	88.9	320.4	400 mm
DN 150	165.1	333.1	400 mm
DN 150	168.3	358.5	400 mm
DN 200	219.1	360.1	400 mm

Tab. 1: Dimensions and weights (measuring orifice plate)

**Description Code**

**ZONE-LUX Basic version**

Included in delivery: Main pipe incl. mounting plate, valves, pump and flow switch.

The version ZONE-LUX Basis is delivered without connection box and cabling.

Order code	Nominal size
ZLB0-EL	DN 50 (Ø 60.3 mm) left
ZLB0-ER	DN 50 (Ø 60.3 mm) right
ZLB0-FL	DN 65 (Ø 76.1 mm) left
ZLB0-FR	DN 65 (Ø 76.1 mm) right
ZLB0-GL	DN 80 (Ø 88.9 mm) left
ZLB0-GR	DN 80 (Ø 88.9 mm) right
ZLB0-HL	DN 100 (Ø 114.3 mm) left
ZLB0-HR	DN 100 (Ø 114.3 mm) right
ZLB0-KL	DN 150 (Ø 168.3 mm) left
ZLB0-KR	DN 150 (Ø 168.3 mm) right
ZLB0-XL	DN 150 (Ø 165.1 mm) left
ZLB0-XR	DN 150 (Ø 165.1 mm) right
ZLB0-LL	DN 200 (Ø 219.1 mm) left
ZLB0-LR	DN 200 (Ø 219.1 mm) right

**Description Code**

**ZONE-LUX® Options to Basic version**

<b>Order code</b>	<b>Description</b>
ZB-ZLA0	Analogue Communication - Apollo connection box with pipe bracket
ZB-ZLA0-P	Analogue Communication pre-wired - Apollo connection box pre-wired at Zone-Lux
ZB-ZLD0	Direct Control - connection box with pipe bracket
ZB-ZLD0-P	Direct Control pre-wired - connection box pre-wired at Zone-Lux
ZB-ZLK0	Key Switch for direct control

**MECON GmbH**

Roentgenstr. 105  
50169 Kerpen  
Germany

**Tel.:** +49 (0) 2237 600 06 - 0

**E-Mail:** [info@mecon.de](mailto:info@mecon.de)

**Web:** [www.mecon.de/en](http://www.mecon.de/en)