

ZONE-LUX® KEY SWITCH

Control unit for easy testing of one or multiple ZONE-LUX® flow switches



The ZONE-LUX® Key Switch is your flexible control center for the easy operation and testing of ZONE-LUX® flow switches.

ZONE-LUX® Key Switch Single:

Test a single unit reliably – the internal circulation pump activates the test without water discharge. Save resources, increase safety.

ZONE-LUX® Key Switch Group:

Reduce the time required for maintenance and inspection and test up to 25 units simultaneously via a central key switch. All connected Single key switches start automatically, so manual operation is not required.

ADVANTAGES

- » Reduced maintenance effort
- » Cost savings through minimizing resources
- » Compliance with fire protection safety standards
- » Central remote control via key switch from up to 300 m distance
- » Group test: Simultaneous testing of up to 25 units

Test results are transmitted directly to the fire alarm control panel responsible for the flow switches. You retain full control – effortlessly.

Whether for a single unit or an entire system, the ZONE-LUX® Key Switch makes your tests faster, safer, and more efficient.

TECHNICAL DATA

Operating voltage	110 V AC, 60 Hz ... 230 V AC, 50 Hz
Power consumption	Single: Max. 7.5 W Group: Max. 20 W
Switching capacity	Flow switch: 10 A bei 125/250 V AC Group test: Testing of up to 25 ZONE-LUX® Key Switch Single units simultaneously
LED indicator	Single: Pump Running Flow-switch activated Valve fault - optional Group: Group Test Running

Functions	Single: Group test (optional) Self-test Valve monitoring (optional) Standby Group: Gruppentest
Maximum cable length	300 m (3.28 ft)
Protection class	IP54
Mounting type	Surface-mounted
Operating temperature range	0 °C ... 49 °C (32 °F ... 120 °F)

DIMENSIONS

Height	175 mm (6.89 in)
Width	122 mm (4.80 in)
Depth (incl. key)	95 mm (3.74 in)
Weight	0.4 kg (0.88 lbs)

CONNECTION OPTIONS

Power supply	Mains voltage via terminals N and L
Flow switch connection	Connect to corresponding terminals labeled "Flow Switch"
Zone valve	Optional connection for monitoring valve status on terminals labeled "Valve fault"
Group test	Connect all Zone-Lux® Key Switch Single belonging to a group

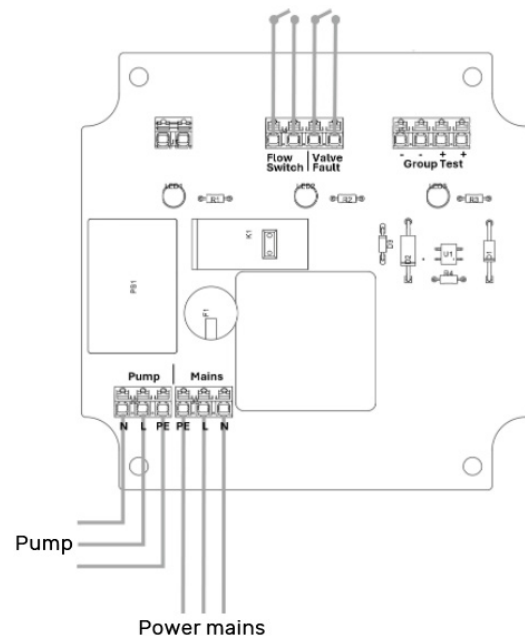


Fig. 1: Zone-Lux® Wiring configuration Key Switch Single

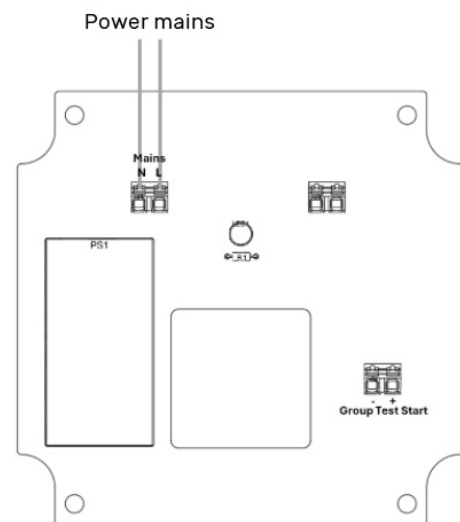


Fig. 2: Zone-Lux® Wiring configuration Key Switch Group