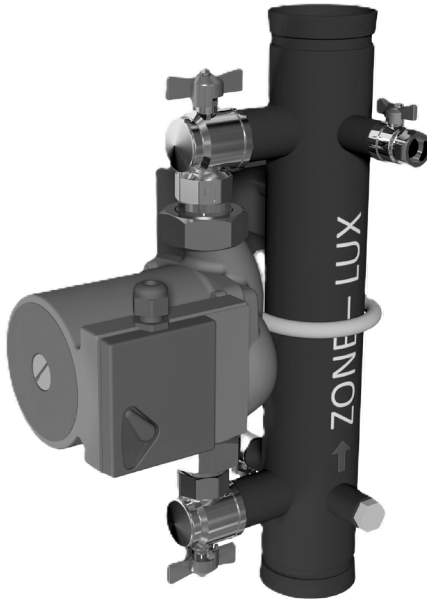


ZONE-LUX®

Automatic flow switch tester for stationary fire protection systems



made
in
Germany



EN OPERATING MANUAL

IMPRINT

All rights reserved. Without the prior written authorisation of MECON GmbH every form of reproduction of this documentation, regardless of method, including excerpts, is forbidden.

We reserve the right to make changes without prior notice.

Copyright 2024 by MECON GmbH - Roentgenstrasse 105 - 50169 Kerpen - Germany

CONTENT

1	SAFETY INSTRUCTIONS	4
1.1	Intended use	4
1.2	Approvals.....	4
1.3	Manufacturer's safety instructions	5
1.4	Risk assessment	6
2	SCOPE OF DEVICES	6
2.1	Scope of delivery	6
2.2	Nameplate	6
3	INSTALLATION	7
3.1	Installation instructions.....	7
3.2	Installation	7
3.3	Mounting.....	8
3.3.1	Horizontal mounting	8
3.3.2	Vertical Montage.....	8
3.4	Electrical connection.....	9
3.4.1	Connection of pump and flow detector / flow switch	9
3.4.2	Connection Zone-Lux® to key switch (optional)	9
4	COMMISSIONING	9
4.1	Performing a test cycle with the Zone-Lux®	10
5	SERVICE	10
5.1	Storage.....	10
5.2	Maintenance	10
5.3	Returning the testing system to the manufacturer.....	10
5.4	Disposal.....	11
5.5	Troubleshooting.....	11
5.6	Protection and safety related to electrical equipment.....	11

1 SAFETY INSTRUCTIONS

1.1 Intended use

With the Zone-Lux®, a pump is used to pump water in the loop and the flow switch is activated this way. There is no release of water.

The testing system is equipped with shut-off mechanisms, which allow maintenance of the pump without need to empty the sprinkler group.

The approvals necessary for this from FM and VdS Schadenverhütung GmbH are available.

According to the installation guidelines, flow switches are to be tested on a regular basis, to test proper functionality when one or more sprinklers are triggered.

The test intervals can vary, depending on the guideline used for the installation or requirements of insurance providers and the authorities.

NOTICE!

The responsibility for the use of the devices regarding suitability, proper use, and especially the corrosion resistance of the materials used against the medium lies solely with the user.

The manufacturer is not liable for damages resulting from improper or non-intended use of these devices.

The testing system may only be used within the pressure, temperature and supply voltage limits specified in the operating manual.

1.2 Approvals

- » FM Approval Class: 1043
- Certificate PR468401
- » VdS Approval 2344:2014-07
- Certificate G 422034



Fig. 1: Logos of the certification bodies

1.3 Manufacturer's safety instructions

Installation, commissioning and maintenance may only be performed by persons qualified for these tasks.



ATTENTION!

Work on electrical connections may only be performed by persons who are qualified and licensed to perform these tasks.

Only activate the power supply after the full installation is completed.

When doing maintenance work, the power supply is to be switched off over the fuse installed in the unit.

The manufacturer is not liable for damages of any kind caused by use of the device, including, but not limited to damage and consequential damage occurring directly, indirectly, and incidentally.

For every product purchased from the manufacturer the warranty applies, according to the relevant product documentation and the general terms and conditions.

The manufacturer reserves the right to revise the content of the documents, including this disclaimer, without prior notice, and is not liable in any way for possible consequences of such changes.

The responsibility for whether the Zone-Lux® is suitable for the particular application rests solely with the operator. MECON GmbH assumes no liability for consequences of misuse, modifications or repairs that were carried out by the customer without prior consultation.



ATTENTION!

To prevent injury to the user or damage to the device, it is necessary that you read the information in this manual carefully before starting to use the device.

This manual is intended for the correct installation, operation and maintenance of the devices.

1.4 Risk assessment

When correctly installed and operated as intended the Zone-Lux® has no influence on the effectiveness of the extinguishing system.

Accidental activation of the pump for testing the flow switch can lead to a false alarm. Tests in which possible alarm forwarding systems are not switched off can likewise lead to a false alarm.

Regular tests of the flow switches is an issue related to the operational safety of the extinguishing system. The visual display on the key switch as well as activation of the feedback to the fire alarm control panel ensure that any activation of a flow switch is signalled to the user.

Testing all the connected flow switches simultaneously reduces the time in which any possible alarm forwarding system is out of operation, so it reduces the time in which the alarm system is not fully operational. If multiple flow switches are installed, it must be possible to test these individually.

2 SCOPE OF DEVICES

2.1 Scope of delivery

Included in the scope of delivery are:

- » Zone-Lux® (main pipe with flow switch and pump)
- » Apollo module / direct control (optional)
- » Key switches (optional)
- » Safety instructions

2.2 Nameplate



- ① Type
- ② Designation key
- ③ Nominal size and process connection

Fig. 2: Name plate Zone-Lux®

3 INSTALLATION

3.1 Installation instructions

i NOTICE!

All devices have been carefully checked for proper functionality before being shipped out. Immediately after receiving it, check the packaging for damage or indications of improper handling.

Notify the carrier and your responsible sales employee of any possible damage. In such cases provide a description of the problem, and the type and serial number of the device.

Unpack the device carefully, to avoid any damage.

Use the packing list to check the completeness of the delivery. Using the name plate, check to ensure that the device supplied corresponds to your order.

The Zone-Lux® is only intended for use in wet systems.

For installation, the ambient conditions of the respective components are to be observed.

Special VdS requirement: The version with roll groove connection may only be put to use in combination with VdS-approved pipe couplings from the manufacturers Anvil (all Gruvlok mechanical groove pipe couplings), Jinan Meide (casting

couplings type 1G), Minimax, Modgal, Tyco (all Grinell Mechanical and G-Fire steel IPS pipe couplings) and Victaulic.

3.2 Installation

A distance corresponding to the installation dimension must be provided between the pipe ends of the sprinkler group in which the Zone-Lux® is installed. The pipe ends must be aligned. The additional weight of the Zone-Lux® must be taken into account when securing the pipes.

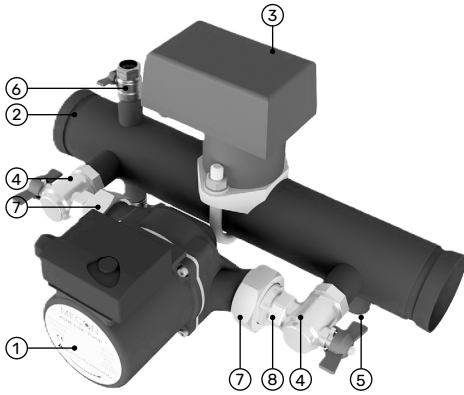
The Installation in the piping of the sprinkler system is done with the help of couplings that are certified for use in sprinkler systems.

The certified couplings are to be mounted according to the manufacturer's instructions.

The delay time of the flow switch can be configured with the help of the manufacturer's data sheet. It may not exceed the maximum delay time specified in the installation guidelines that are used.

For the nominal sizes DN 150 and DN 200 the pump of the Zone-Lux® requires a start-up time of approx. 15 seconds. This must be taken into account when configuring the delay time of the flow switch. This does not apply for nominal sizes smaller than DN 150.

INSTALLATION



- ① Pump
- ② Main pipe
- ③ Potter flow monitor / switch type VSR-EU
- ④ Ball valve 3/4" internal / external thread
- ⑤ Dummy plug 1/2"
- ⑥ Ball valve 1/2" internal / external thread
- ⑦ Union nut 1 1/2"
- ⑧ Backflow preventer

Fig. 3: Overview Zone-Lux®

3.3 Mounting

The Zone-Lux® can be installed in either a horizontal or vertical orientation. The flow direction arrow on the main pipe of the Zone-Lux® must align with the flow direction of the sprinkler system.

3.3.1 Horizontal mounting

In horizontal orientation, the flow switch must face upwards. It must not be installed sideways or below the pipe.



Fig. 4: Zone-Lux® correct orientation

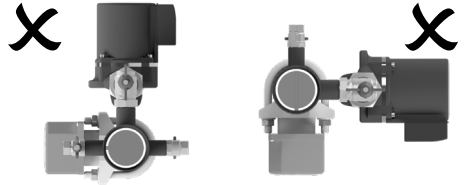


Fig. 5: Zone-Lux® wrong orientation

3.3.2 Vertical Montage

With left-hand and right-hand model variants, the Zone-Lux® can also be installed in tight spaces along walls.

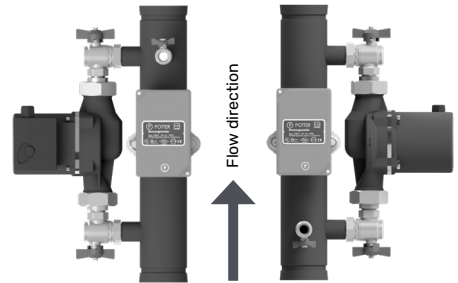


Fig. 6: Zone-Lux® possible vertical orientation: Pump in flow direction left

Fig. 7: Zone-Lux® possible vertical orientation: Pump in flow direction right

3.4 Electrical connection

3.4.1 Connection of pump and flow detector / flow switch

The pump and flow detector / flow switch are to be connected according to the supplied documents.

3.4.2 Connection Zone-Lux® to key switch (optional)

The connection of the MECON key switches is documented in the separate instructions included in the scope of delivery of the component.

4 COMMISSIONING

Fill the sprinkler group with water, ensuring that excess pressure does not exist in the system. Ensure that the valves 1 and 3 (Fig. 8) are shut before filling.

ATTENTION!

If the sprinkler group is under pressure, a large amount of water may come out when air-venting.



Fig. 8: Overview of main pipe commissioning

It is necessary to vent air in the bypass line with the pump.

1. Connect a suitable hose to the air-venting valve ① to catch any escaping water.
2. Open the shut-off valves ② and ④.
3. Open the air-venting valve ① until water escapes, then close it.
4. Perform test cycle on Zone-Lux®.
5. If the pump does not run smoothly or if the flow switch does not trigger, vent the air again.
6. Check that the valves are in an operation-ready position:
 - » Air-venting valve ① closed (pictured open)
 - » Air-venting valve ③ closed (pictured open)
 - » Shut-off valves ② and ④ open.
7. Check the system for leaks.

4.1 Performing a test cycle with the Zone-Lux®

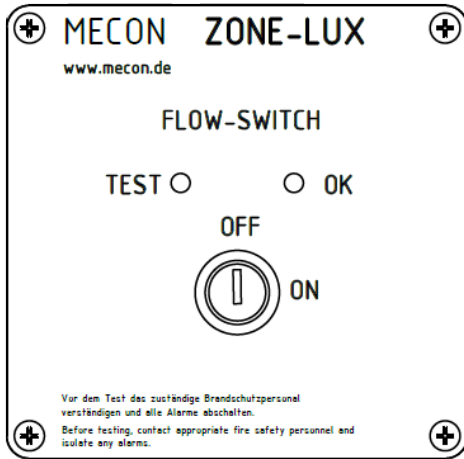


Fig. 9: Cover of key switch

1. Rotate the key switch to the "On" position; the red LED lights up and the pump of the Zone-Lux® is switched on.
2. Feedback from the flow switch is expected within 2 minutes.
3. Once the flow switch trips, the green LED also lights up. The flow switch is only OK if both LEDs light up simultaneously. Ensure that you check whether the relevant fire alarm arrives at the fire alarm control panel. If this is the case, the test was a success and you can set the key switch to the "Off" position. The key can only be pulled out in position "Off"!

5 SERVICE

5.1 Storage

The emptied device is to be stored dry and dust-free. Avoid direct sunlight and heat. Permissible storage temperatures are -20 ... 60 °C (-4 ... 140 °F). Avoid external loads on the device

5.2 Maintenance

Should damage be ascertained on the key switch or the Zone-Lux®, the damage is to be evaluated and a check is to be done as to whether the test procedure functions to the full extent.

5.3 Returning the testing system to the manufacturer

Based on careful manufacturing processes and final inspections on the device, problem-free use of the Zone-Lux® can be expected if installed and operated in accordance with this manual.

Should it be necessary to return the device to MECON GmbH despite this, the following must be observed:

i NOTICE!

For legal reasons related to environmental protection and work safety, and to protect the health and safety of our employees, all devices sent back to MECON GmbH for repair must be free of all toxic and hazar-

dous substances. This also applies to the spaces inside the devices. If necessary, the device must be neutralised or flushed by the customer before sending it back to MECON GmbH.

The customer must confirm this by filling out a related form, which can be downloaded from the MECON GmbH website, and include this form with the returned item:

<https://www.mecan.de/files/daten/downloads/en/Confirmation-of-decontamination.pdf>

5.4 Disposal



ATTENTION!

The pertinent regulations of your country must be complied with when disposing of the devices.

5.5 Troubleshooting

No feedback that a flow switch triggered.

Did feedback arrive at the relevant alarm control panel?

o Yes: Check the cable / cable route and signal lamp

o No: Check the flow switch and pump.

Are all ball valves in the right position (section 4)? Ensure that the flow switch tester was not accidentally switched off.

5.6 Protection and safety related to electrical equipment

After correct installation, all connections have suitable contact-protection. Moreover, all circuits are installed in a sealed housing, and only authorised personnel has access to the operating units. Components that have suitable CE markings are used.

Based on information from the manufacturer, a heat calculation was also performed for the dimensioning of the lines. No hazard due to temperature, heat radiation or electric arcs exists.

The restrictions for the ambient conditions and conditions of use and the fasteners / mounts as well as installation of the components / housing assume that no mechanical hazards occur and the electric equipment can withstand the expected loads.

If the suitable, specified cable is used, sufficiently safe insulation can be assumed.

MECON

SAFETY CONTROL

MECON GmbH
Roentgenstr. 105
50169 Kerpen
Germany

Phone: +49 (0) 2237 600 06 - 0
E-Mail: info@mecon.de

Web: www.mecon.de