

ZONE-LUX® KEY SWITCH

Key Switch Single / Key Switch Group



**made
in
Germany**



EN INSTALLATION INSTRUCTIONS

WIRING OF THE KEY SWITCHES

1 WIRING OF THE KEY SWITCHES

1.1 Wiring Key Switch Single

The MECON Key Switch Single should be connected as shown in Fig. 1.

For wiring the flow detector (terminal labeled “Flow Switch”) and the optional valve monitoring (terminal labeled “Valve Fault”), use normally open contacts in each case.

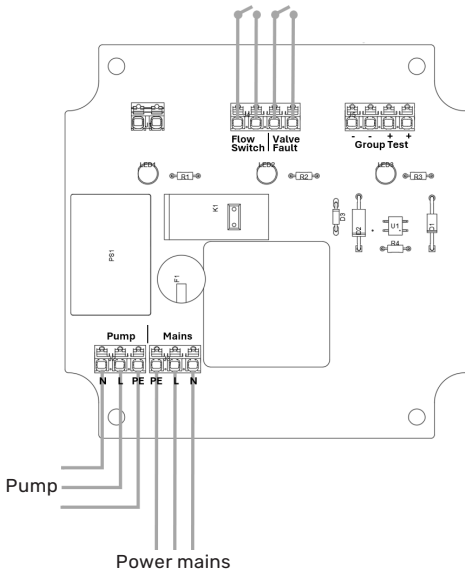


Fig. 1: Wiring diagram Key Switch Single

1.2 Wiring Key Switch Group

With the Key Switch Group, up to 25 Key Switch Singles connected to Zone-Lux® can be tested simultaneously.

The MECON Key Switch Group should be connected as shown in Fig. 2.

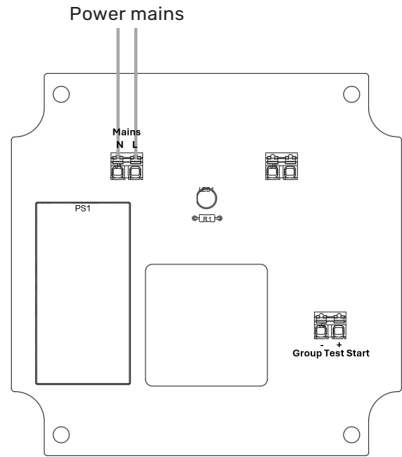


Fig. 2: Wiring diagram Key Switch Group

To use the Key Switch Group, connecting one or more Key Switch Singles is essential. The Key Switch Singles should be wired to the Key Switch Group as shown in Fig. 3.

TO NEXT
KEY SWITCH
SINGLE

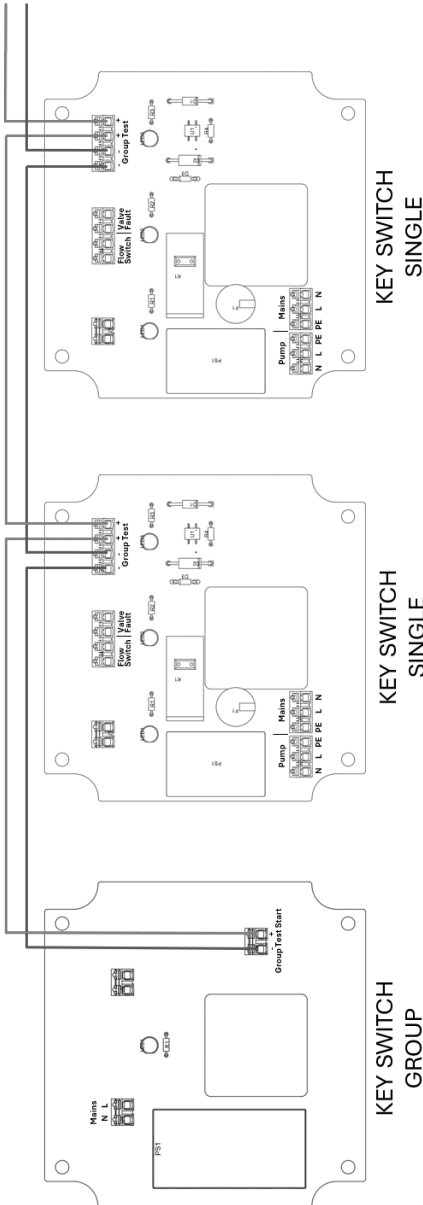


Fig. 3: Wiring diagram Key Switch Single / Group

2 PERFORMING A TEST CYCLE

2.1 Key Switch Single - Test procedure and valve monitoring

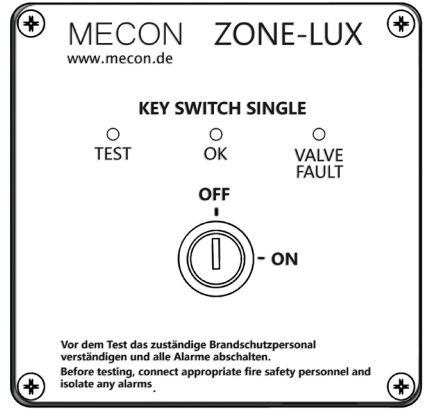


Fig. 4: Top view Key Switch Single

The Key Switch Single is used to operate a Zone-Lux® flow detector tester. The test procedure is as follows:

1. Turn the key of the key switch to the "ON" position. The Zone-Lux® pump will start, and the "TEST" LED will light up green.
2. If the flow detector has activated, the "OK" LED will also light up green.
3. Check whether the corresponding alarm is received at the fire alarm control panel (FACP). If it is, the test was successful.
4. Turn the key switch to the "OFF" position. The key can only be removed in the "OFF" position.



VALVE MONITORING

If the red "VALVE FAULT" LED is lit, there may be a faulty valve position. Check the position of the connected valve and correct it if necessary. The "VALVE FAULT" LED should no longer be lit.

The key can only be removed in the "OFF" position.

During the test procedure of the Key Switch Group, the Key Switch Singles can remain in their current "ON" or "OFF" positions and do not need to be operated separately.

2.2 Key Switch Group - Test procedure

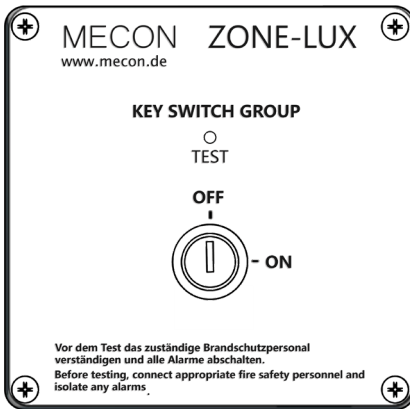


Fig. 5: Top view Key Switch Group

The test procedure is as follows:

1. Turn the key of the key switch to the "ON" position. The "TEST" LED will light up green.
2. All Key Switch Singles connected to the respective Key Switch Group will start their connected Zone-Lux® pumps.
3. Check whether all corresponding alarms are received at the fire alarm control panel (FACP).
4. Turn the key switch to the "OFF" position to stop all Zone-Lux® pumps.